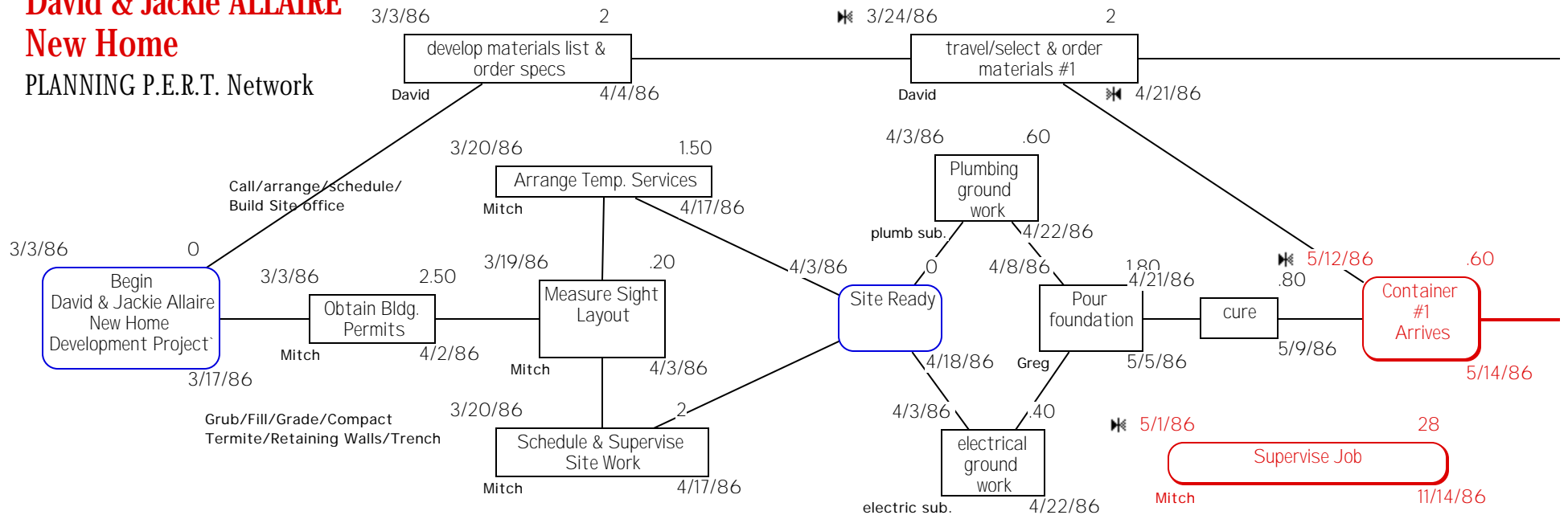


David & Jackie ALLAIRE New Home

PLANNING P.E.R.T. Network



Earliest Start Duration (Weeks)

LEGEND

Resource Latest Finish

Prior to bldg. permit, a 6 month process including:

- *Design
- *Topo Map
- *Project Analysis/Planning
- *Obtain Bids
- *Sign Contract[s] was necessary - cost \$8,000.

